

# BOLLARD e PALETTI

Small Poles

## BLOOM MINI BOLLARD

Paletti orientabili  
Adjustable small poles

15° FASCIO STRETTO - NARROW BEAM

30° FASCIO MEDIO - MEDIUM BEAM

40° FASCIO LARGO - WIDE BEAM



H350 L58 Ø80



H650 L58 Ø80



H950 L58 Ø80

**BLOOM MINI BOLLARD**

55

00

01

10

24

25

30

35

40



**BLOOM FLOODLIGHT**  
PAG. 126







# BLOOM MINI BOLLARD

DATI TECNICI  
Technical Data

## INSTALLAZIONE

Installazione a terra

## PROTEZIONE

IP 66 - IK 08

## CORPO

Alluminio da tornitura Serie 6000 anticorodal, per maggiore resistenza alla corrosione

## SCHERMO

Vetro extrachiaro trasparente da 6mm

## GUARNIZIONI

Gomma EPDM stampata

## VITERIA

Acciaio Inox A2

## VERNICIATURA / FINITURA

Polvere poliestere stabilizzata ai raggi UV con trattamento anticorrosione

## ASSEMBLY / USAGE

Ground installation

## PROTECTION

IP 66 - IK 08

## BODY

Anticorodal turning aluminum 6000 Serie, for greater corrosion resistance

## SCREEN

Transparent extra-clear glass 6mm

## SEALS

Closed-cell EPDM rubber

## SCREWS

Stainless steel A2

## PAINT / FINISHING

Anti-corrosive UV stabilised polyester powder

**NB** 15° FASCIO STRETTO - NARROW BEAM

**MB** 30° FASCIO MEDIO - MEDIUM BEAM

**WB** 40° FASCIO LARGO - WIDE BEAM

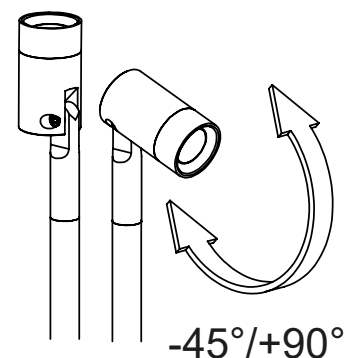
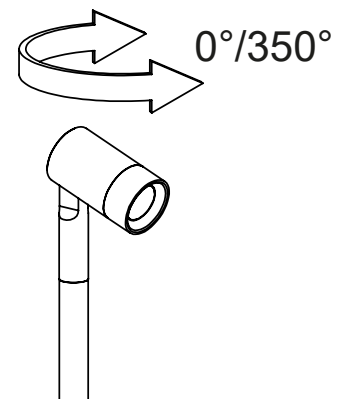
2700K - 3000K - 4000K

### Versione in Tensione - Constant voltage (Vdc)

2W con DRIVER REMOTO 24Vdc - 2W REMOTE DRIVER 24Vdc

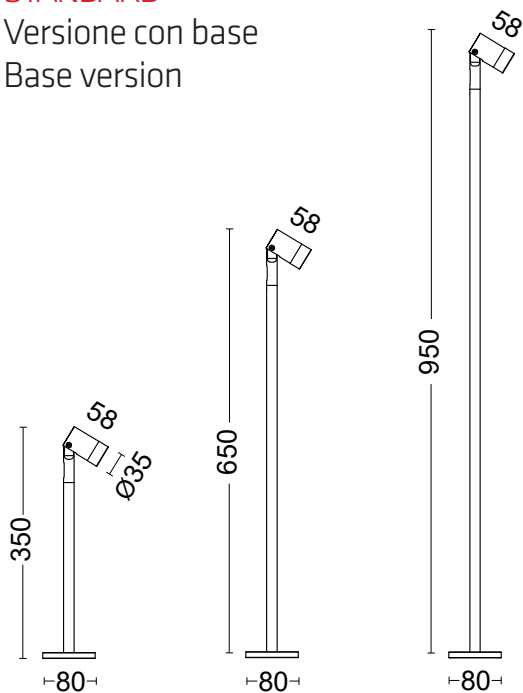
### Versione in Corrente - Constant current (mA)

2W con DRIVER REMOTO MAX 700mA DC - 2W REMOTE DRIVER max 700mA DC



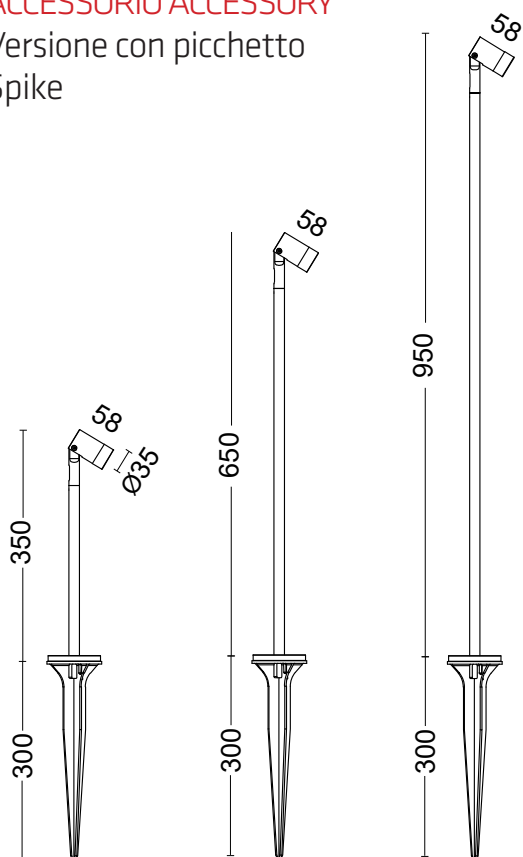
## STANDARD

Versione con base  
Base version



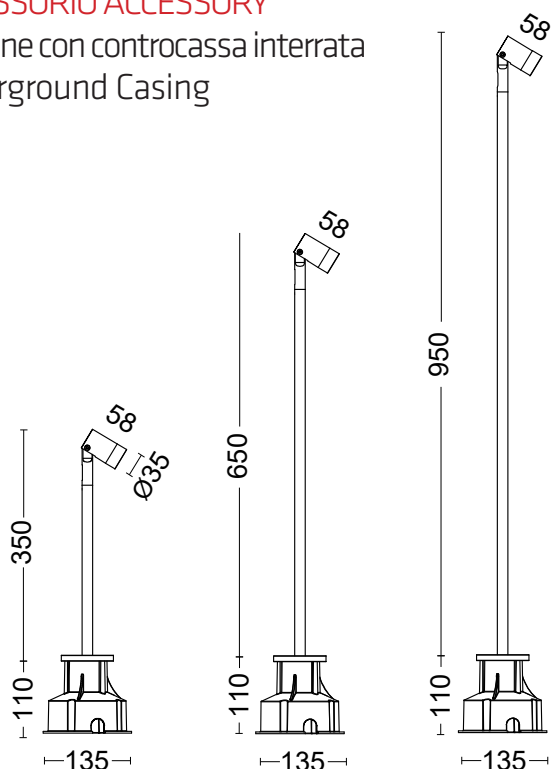
## ACCESSORIO ACCESSORY

Versione con picchetto  
Spike

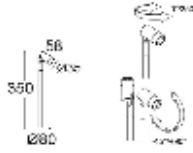


## ACCESSORIO ACCESSORY

Versione con controcassa interrata  
Underground Casing



# BLOOM MINI BOLLARD



## Paletto Orientabile H.350 -Driver remoto 24Vdc / Adjustable Small Pole H.350 -Remote driver 24Vdc

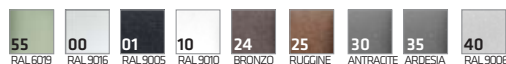
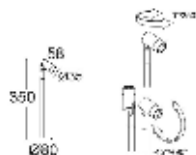
Codice Code	Fascio Beam	Watt	Sorgente Source	Apparecchio Fixture	Alimentazione Input Supply	CCT	CL	IP	IK	CRI
<b>5000F1/HRRCNB</b>	Spot/15° Spot/15°	2W	170 lm	130 lm	24Vdc	2700K	III	66	08	80
<b>5000F1/HRRCMB</b>	Medio/30° Flood/30°	2W	170 lm	125 lm	24Vdc	2700K	III	66	08	80
<b>5000F1/HRRCWB</b>	Largo/40° Wide Flood/40°	2W	170 lm	120 lm	24Vdc	2700K	III	66	08	80
<b>5000F1/WRRCNB</b>	Spot/15° Spot/15°	2W	170 lm	130 lm	24Vdc	3000K	III	66	08	80
<b>5000F1/WRRCMB</b>	Medio/30° Flood/30°	2W	170 lm	125 lm	24Vdc	3000K	III	66	08	80
<b>5000F1/WRRCWB</b>	Largo/40° Wide Flood/40°	2W	170 lm	120 lm	24Vdc	3000K	III	66	08	80
<b>5000F1/NRRCNB</b>	Spot/15° Spot/15°	2W	190 lm	150 lm	24Vdc	4000K	III	66	08	80
<b>5000F1/NRRCMB</b>	Medio/30° Flood/30°	2W	190 lm	145 lm	24Vdc	4000K	III	66	08	80
<b>5000F1/NRRCWB</b>	Largo/40° Wide Flood/40°	2W	190 lm	140 lm	24Vdc	4000K	III	66	08	80

Vetro extrachiaro trasparente da 6mm / Transparent extra-clear glass 6mm

Dimmerazione: Non dimmerabile / Dimming: Not dimmable

## Informazioni sugli accessori a fine capitolo o da pag. 463 e sito. information on accessories at the end of the chapter or from page. 463 and website.

<b>KIT.023</b>	Kit picchetto/Spike Kit H350xØ80	<b>E.TRA.631</b> 1 Driver for 1-5 Lamps	Driver ON/OFF - 15W 24Vdc IP20 L106xW33xH22
<b>KIT.024</b>	Kit cassafornia interrata per paletto - H110xØ135 Inground formwork kit for post - H110xØ135	<b>E.TRA.632</b> 1 Driver for 1-25 Lamps	Driver ON/OFF - 70W 24Vdc IP20 L124xW80xH22
<b>E.CAV.540.020</b>	Cavo/Cable 05RN-F 2x0,75 2mt	<b>E.TRA.577</b> 1 Driver for 1-8 Lamps	Driver ON/OFF - 25W 24Vdc IP67 L148xW40xH32
<b>E.CAV.540.050</b>	Cavo/Cable 05RN-F 2x0,75 5mt	<b>E.TRA.579</b> 1 Driver for 9-30 Lamps	Driver ON/OFF - 100W 24Vdc IP67 L140xW63xH32
<b>E.CAV.540.100</b>	Cavo/Cable 05RN-F 2x0,75 10mt	<b>HUB.24V.001.ND</b> 1 Hub for 1-8 Lamps	Hub 24Vdc IP66 - ON/OFF con driver 70W L235xW200xH92
<b>MOR682P/2V</b>	Connettore IP68 2Vie/2Poli 2x1mm² IP68 Connector 2ways/2Poles 2x1mm²		



# BLOOM MINI BOLLARD

**Paletto Orientabile H.350 -Driver remoto max 700mA DC / Adjustable Small Pole H.350 -Remote driver max 700mA DC**

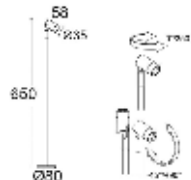
Codice Code	Fascio Beam	Watt	Sorgente Source	Apparecchio Fixture	Alimentazione Input Supply	CCT	CL	IP	IK	CRI
<b>5000F1/HRCCNB</b>	Spot/15° Spot/15°	2W	220 lm	170 lm	max 700mA DC	2700K	III	66	08	80
<b>5000F1/HRCCMB</b>	Medio/30° Flood/30°	2W	220 lm	165 lm	max 700mA DC	2700K	III	66	08	80
<b>5000F1/HRCCWB</b>	Largo/40° Wide Flood/40°	2W	220 lm	162 lm	max 700mA DC	2700K	III	66	08	80
<b>5000F1/WRCCNB</b>	Spot/15° Spot/15°	2W	220 lm	170 lm	max 700mA DC	3000K	III	66	08	80
<b>5000F1/WRCCMB</b>	Medio/30° Flood/30°	2W	220 lm	165 lm	max 700mA DC	3000K	III	66	08	80
<b>5000F1/WRCCWB</b>	Largo/40° Wide Flood/40°	2W	220 lm	162 lm	max 700mA DC	3000K	III	66	08	80
<b>5000F1/NRCCNB</b>	Spot/15° Spot/15°	2W	240 lm	188 lm	max 700mA DC	4000K	III	66	08	80
<b>5000F1/NRCCMB</b>	Medio/30° Flood/30°	2W	240 lm	183 lm	max 700mA DC	4000K	III	66	08	80
<b>5000F1/NRCCWB</b>	Largo/40° Wide Flood/40°	2W	240 lm	180 lm	max 700mA DC	4000K	III	66	08	80

Vetro extrachiaro trasparente da 6mm / Transparent extra-clear glass 6mm

Dimmerazione: DALI dimmerabile remoto / Dimming: Remote DALI dimmable

**Informazioni sugli accessori a fine capitolo o da pag. 463 e sito. information on accessories at the end of the chapter or from page. 463 and website.**

<b>KIT.023</b>	Kit picchetto/Spike Kit H350xØ80	<b>E.TRA.634.700</b> 1 Driver for 1-20 Lamps	Driver ON/OFF - 60W 700mA IP20 L124xW80xH22
<b>KIT.024</b>	Kit cassaforma interrata per paletto - H110xØ135 Inground formwork kit for post - H110xØ135	<b>E.TRA.635.700</b> 1 Driver for 1-20 Lamps	Driver DALI2 - 60W 700mA IP20 L124xW80xH22
<b>E.CAV.540.020</b>	Cavo/Cable 05RN-F 2x0,75 2mt	<b>E.TRA.636.700</b> 1 Driver for 1-20 Lamps	Driver CASAMBI - 60W 700mA IP20 L124xW80xH22
<b>E.CAV.540.050</b>	Cavo/Cable 05RN-F 2x0,75 5mt	<b>E.TRA.553.700</b> 1 Driver for 1-8 Lamps	Driver ON/OFF - 20W 700mA IP67 L120xW38xH25
<b>E.CAV.540.100</b>	Cavo/Cable 05RN-F 2x0,75 10mt	<b>E.TRA.584.700</b> 1 Driver for 1-14 Lamps	Driver DALI2 - 30W 700mA IP68 L121xW53xH26
<b>MOR682P/2V</b>	Connettore IP68 2Vie/2Poli 2x1mm² IP68 Connector 2ways/2Poles 2x1mm²	<b>HUB.700.001.ND</b> 1 Hub for 1-8 Lamps	Hub 700mA IP66 - ON/OFF con driver 60W IP20 L235xW200xH92
<b>E.TRA.621.700</b> 1 Driver for 1-8 Lamps	Driver ON/OFF - 20W 700mA IP20 L111xW52xH22	<b>HUB.700.001.DA2</b> 1 Hub for 1-8 Lamps	Hub 700mA IP66 - DALI2 con driver 60W IP20 L235xW200xH92
<b>E.TRA.623.700</b> 1 Driver for 1-14 Lamps	Driver ON/OFF - 36W 700mA IP20 L163xW30xH21	<b>HUB.700.001.CA</b> 1 Hub for 1-8 Lamps	Hub 700mA IP66 - CASAMBI con driver 60W IP20 L235xW200xH92



# BLOOM MINI BOLLARD

## Paletto Orientabile H.650 -Driver remoto 24Vdc / Adjustable Small Pole H.650 -Remote driver 24Vdc

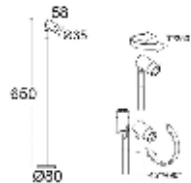
Codice Code	Fascio Beam	Watt	Sorgente Source	Apparecchio Fixture	Alimentazione Input Supply	CCT	CL	IP	IK	CRI
<b>5000F2/HRRCNB</b>	Spot/15° Spot/15°	2W	170 lm	130 lm	24Vdc	2700K	III	66	08	80
<b>5000F2/HRRCMB</b>	Medio/30° Flood/30°	2W	170 lm	125 lm	24Vdc	2700K	III	66	08	80
<b>5000F2/HRRCWB</b>	Largo/40° Wide Flood/40°	2W	170 lm	120 lm	24Vdc	2700K	III	66	08	80
<b>5000F2/WRRCNB</b>	Spot/15° Spot/15°	2W	170 lm	130 lm	24Vdc	3000K	III	66	08	80
<b>5000F2/WRRCMB</b>	Medio/30° Flood/30°	2W	170 lm	125 lm	24Vdc	3000K	III	66	08	80
<b>5000F2/WRRCWB</b>	Largo/40° Wide Flood/40°	2W	170 lm	120 lm	24Vdc	3000K	III	66	08	80
<b>5000F2/NRRCNB</b>	Spot/15° Spot/15°	2W	190 lm	150 lm	24Vdc	4000K	III	66	08	80
<b>5000F2/NRRCMB</b>	Medio/30° Flood/30°	2W	190 lm	145 lm	24Vdc	4000K	III	66	08	80
<b>5000F2/NRRCWB</b>	Largo/40° Wide Flood/40°	2W	190 lm	140 lm	24Vdc	4000K	III	66	08	80

Vetro extrachiaro trasparente da 6mm / Transparent extra-clear glass 6mm

Dimmerazione: Non dimmerabile / Dimming: Not dimmable

### Informazioni sugli accessori a fine capitolo o da pag. 463 e sito. information on accessories at the end of the chapter or from page. 463 and website.

<b>KIT.023</b>	Kit picchetto/Spike Kit H350xØ80	<b>E.TRA.631</b> 1 Driver for 1-5 Lamps	Driver ON/OFF - 15W 24Vdc IP20 L106xW33xH22
<b>KIT.024</b>	Kit cassaforma interrata per paletto - H110xØ135 Inground formwork kit for post - H110xØ135	<b>E.TRA.632</b> 1 Driver for 1-25 Lamps	Driver ON/OFF - 70W 24Vdc IP20 L124xW80xH22
<b>E.CAV.540.020</b>	Cavo/Cable 05RN-F 2x0,75 2mt	<b>E.TRA.577</b> 1 Driver for 1-8 Lamps	Driver ON/OFF - 25W 24Vdc IP67 L148xW40xH32
<b>E.CAV.540.050</b>	Cavo/Cable 05RN-F 2x0,75 5mt	<b>E.TRA.579</b> 1 Driver for 9-30 Lamps	Driver ON/OFF - 100W 24Vdc IP67 L140xW63xH32
<b>E.CAV.540.100</b>	Cavo/Cable 05RN-F 2x0,75 10mt	<b>HUB.24V.001.ND</b> 1 Hub for 1-8 Lamps	Hub 24Vdc IP66 - ON/OFF con driver 70W L235xW200xH92
<b>MOR682P/2V</b>	Connettore IP68 2Vie/2Poli 2x1mm² IP68 Connector 2ways/2Poles 2x1mm²		



# BLOOM MINI BOLLARD

## Paletto Orientabile H.650 - Driver remoto max 700mA DC / Adjustable Small Pole H.650 - Remote driver max 700mA DC

Codice Code	Fascio Beam	Watt	Sorgente Source	Apparecchio Fixture	Alimentazione Input Supply	CCT	CL	IP	IK	CRI
<b>5000F2/HRCCNB</b>	Spot/15° Spot/15°	2W	220 lm	175 lm	max 700mA DC	2700K	III	66	08	80
<b>5000F2/HRCCMB</b>	Medio/30° Flood/30°	2W	220 lm	165 lm	max 700mA DC	2700K	III	66	08	80
<b>5000F2/HRCCWB</b>	Largo/40° Wide Flood/40°	2W	220 lm	162 lm	max 700mA DC	2700K	III	66	08	80
<b>5000F2/WRCCNB</b>	Spot/15° Spot/15°	2W	220 lm	170 lm	max 700mA DC	3000K	III	66	08	80
<b>5000F2/WRCCMB</b>	Medio/30° Flood/30°	2W	220 lm	165 lm	max 700mA DC	3000K	III	66	08	80
<b>5000F2/WRCCWB</b>	Largo/40° Wide Flood/40°	2W	220 lm	162 lm	max 700mA DC	3000K	III	66	08	80
<b>5000F2/NRCCNB</b>	Spot/15° Spot/15°	2W	240 lm	188 lm	max 700mA DC	4000K	III	66	08	80
<b>5000F2/NRCCMB</b>	Medio/30° Flood/30°	2W	240 lm	183 lm	max 700mA DC	4000K	III	66	08	80
<b>5000F2/NRCCWB</b>	Largo/40° Wide Flood/40°	2W	240 lm	180 lm	max 700mA DC	4000K	III	66	08	80

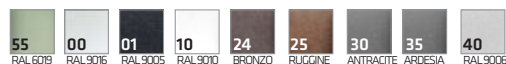
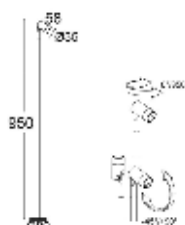
Vetro extrachiaro trasparente da 6mm / Transparent extra-clear glass 6mm

Dimmerazione: DALI dimmerabile remoto / Dimming: Remote DALI dimmable

### Informazioni sugli accessori a fine capitolo o da pag. 463 e sito. information on accessories at the end of the chapter or from page. 463 and website.

<b>KIT.023</b>	Kit picchetto/Spike Kit H350xØ80	<b>E.TRA.634.700</b> 1 Driver for 1-20 Lamps	Driver ON/OFF - 60W 700mA IP20 L124xW80xH22
<b>KIT.024</b>	Kit cassaforma interrata per paletto - H110xØ135 Inground formwork kit for post - H110xØ135	<b>E.TRA.635.700</b> 1 Driver for 1-20 Lamps	Driver DALI2 - 60W 700mA IP20 L124xW80xH22
<b>E.CAV.540.020</b>	Cavo/Cable 05RN-F 2x0,75 2mt	<b>E.TRA.636.700</b> 1 Driver for 1-20 Lamps	Driver CASAMBI - 60W 700mA IP20 L124xW80xH22
<b>E.CAV.540.050</b>	Cavo/Cable 05RN-F 2x0,75 5mt	<b>E.TRA.553.700</b> 1 Driver for 1-8 Lamps	Driver ON/OFF - 20W 700mA IP67 L120xW38xH25
<b>E.CAV.540.100</b>	Cavo/Cable 05RN-F 2x0,75 10mt	<b>E.TRA.584.700</b> 1 Driver for 1-14 Lamps	Driver DALI2 - 30W 700mA IP68 L121xW53xH26
<b>MOR682P/2V</b>	Connettore IP68 2Vie/2Poli 2x1mm² IP68 Connector 2ways/2Poles 2x1mm²	<b>HUB.700.001.ND</b> 1 Hub for 1-8 Lamps	Hub 700mA IP66 - ON/OFF con driver 60W IP20 L235xW200xH92
<b>E.TRA.621.700</b> 1 Driver for 1-8 Lamps	Driver ON/OFF - 20W 700mA IP20 L111xW52xH22	<b>HUB.700.001.DA2</b> 1 Hub for 1-8 Lamps	Hub 700mA IP66 - DALI2 con driver 60W IP20 L235xW200xH92
<b>E.TRA.623.700</b> 1 Driver for 1-14 Lamps	Driver ON/OFF - 36W 700mA IP20 L163xW30xH21	<b>HUB.700.001.CA</b> 1 Hub for 1-8 Lamps	Hub 700mA IP66 - CASAMBI con driver 60W IP20 L235xW200xH92





# BLOOM MINI BOLLARD

## Paletto Orientabile H.950 -Driver remoto 24Vdc / Adjustable Small Pole H.950 -Remote driver 24Vdc

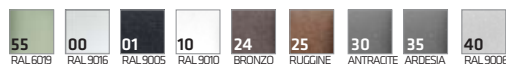
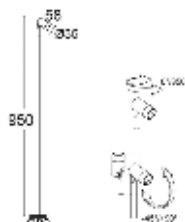
Codice Code	Fascio Beam	Watt	Sorgente Source	Apparecchio Fixture	Alimentazione Input Supply	CCT	CL	IP	IK	CRI
<b>5000F3/HRRCNB</b>	Spot/15° Spot/15°	2W	170 lm	130 lm	24Vdc	2700K	III	66	08	80
<b>5000F3/HRRCMB</b>	Medio/30° Flood/30°	2W	170 lm	125 lm	24Vdc	2700K	III	66	08	80
<b>5000F3/HRRCWB</b>	Largo/40° Wide Flood/40°	2W	170 lm	120 lm	24Vdc	2700K	III	66	08	80
<b>5000F3/WRRCNB</b>	Spot/15° Spot/15°	2W	170 lm	130 lm	24Vdc	3000K	III	66	08	80
<b>5000F3/WRRCMB</b>	Medio/30° Flood/30°	2W	170 lm	125 lm	24Vdc	3000K	III	66	08	80
<b>5000F3/WRRCWB</b>	Largo/40° Wide Flood/40°	2W	170 lm	120 lm	24Vdc	3000K	III	66	08	80
<b>5000F3/NRRCNB</b>	Spot/15° Spot/15°	2W	190 lm	150 lm	24Vdc	4000K	III	66	08	80
<b>5000F3/NRRCMB</b>	Medio/30° Flood/30°	2W	190 lm	145 lm	24Vdc	4000K	III	66	08	80
<b>5000F3/NRRCWB</b>	Largo/40° Wide Flood/40°	2W	190 lm	140 lm	24Vdc	4000K	III	66	08	80

Vetro extrachiaro trasparente da 6mm / Transparent extra-clear glass 6mm

Dimmerazione: Non dimmerabile / Dimming: Not dimmable

### Informazioni sugli accessori a fine capitolo o da pag. 463 e sito. information on accessories at the end of the chapter or from page. 463 and website.

<b>KIT.023</b>	Kit picchetto/Spike Kit H350xØ80	<b>E.TRA.631</b> 1 Driver for 1-5 Lamps	Driver ON/OFF - 15W 24Vdc IP20 L106xW33xH22
<b>KIT.024</b>	Kit cassaforma interrata per paletto - H110xØ135 Inground formwork kit for post - H110xØ135	<b>E.TRA.632</b> 1 Driver for 1-25 Lamps	Driver ON/OFF - 70W 24Vdc IP20 L124xW80xH22
<b>E.CAV.540.020</b>	Cavo/Cable 05RN-F 2x0,75 2mt	<b>E.TRA.577</b> 1 Driver for 1-8 Lamps	Driver ON/OFF - 25W 24Vdc IP67 L148xW40xH32
<b>E.CAV.540.050</b>	Cavo/Cable 05RN-F 2x0,75 5mt	<b>E.TRA.579</b> 1 Driver for 9-30 Lamps	Driver ON/OFF - 100W 24Vdc IP67 L140xW63xH32
<b>E.CAV.540.100</b>	Cavo/Cable 05RN-F 2x0,75 10mt	<b>HUB.24V.001.ND</b> 1 Hub for 1-8 Lamps	Hub 24Vdc IP66 - ON/OFF con driver 70W L235xW200xH92
<b>MOR682P/2V</b>	Connettore IP68 2Vie/2Poli 2x1mm² IP68 Connector 2ways/2Poles 2x1mm²		



# BLOOM MINI BOLLARD

**Paletto Orientabile H.950 - Driver remoto max 700mA DC / Adjustable Small Pole H.950 - Remote driver max 700mA DC**

Codice Code	Fascio Beam	Watt	Sorgente Source	Apparecchio Fixture	Alimentazione Input Supply	CCT	CL	IP	IK	CRI
<b>5000F3/HRCCNB</b>	Spot/15° Spot/15°	2W	220 lm	170 lm	max 700mA DC	2700K	III	66	08	80
<b>5000F3/HRCCMB</b>	Medio/30° Flood/30°	2W	220 lm	165 lm	max 700mA DC	2700K	III	66	08	80
<b>5000F3/HRCCWB</b>	Largo/40° Wide Flood/40°	2W	220 lm	162 lm	max 700mA DC	2700K	III	66	08	80
<b>5000F3/WRCCNB</b>	Spot/15° Spot/15°	2W	220 lm	170 lm	max 700mA DC	3000K	III	66	08	80
<b>5000F3/WRCCMB</b>	Medio/30° Flood/30°	2W	220 lm	165 lm	max 700mA DC	3000K	III	66	08	80
<b>5000F3/WRCCWB</b>	Largo/40° Wide Flood/40°	2W	220 lm	162 lm	max 700mA DC	3000K	III	66	08	80
<b>5000F3/NRCCNB</b>	Spot/15° Spot/15°	2W	240 lm	188 lm	max 700mA DC	4000K	III	66	08	80
<b>5000F3/NRCCMB</b>	Medio/30° Flood/30°	2W	240 lm	183 lm	max 700mA DC	4000K	III	66	08	80
<b>5000F3/NRCCWB</b>	Largo/40° Wide Flood/40°	2W	240 lm	180 lm	max 700mA DC	4000K	III	66	08	80

Vetro extrachiaro trasparente da 6mm / Transparent extra-clear glass 6mm

Dimmerazione: DALI dimmerabile remoto / Dimming: Remote DALI dimmable

**Informazioni sugli accessori a fine capitolo o da pag. 463 e sito. information on accessories at the end of the chapter or from page. 463 and website.**

<b>KIT.023</b>	Kit picchetto/Spike Kit H350xØ80	<b>E.TRA.634.700</b> 1 Driver for 1-20 Lamps	Driver ON/OFF - 60W 700mA IP20 L124xW80xH22
<b>KIT.024</b>	Kit cassaforma interrata per paletto - H110xØ135 Inground formwork kit for post - H110xØ135	<b>E.TRA.635.700</b> 1 Driver for 1-20 Lamps	Driver DALI2 - 60W 700mA IP20 L124xW80xH22
<b>E.CAV.540.020</b>	Cavo/Cable 05RN-F 2x0,75 2mt	<b>E.TRA.636.700</b> 1 Driver for 1-20 Lamps	Driver CASAMBI - 60W 700mA IP20 L124xW80xH22
<b>E.CAV.540.050</b>	Cavo/Cable 05RN-F 2x0,75 5mt	<b>E.TRA.553.700</b> 1 Driver for 1-8 Lamps	Driver ON/OFF - 20W 700mA IP67 L120xW38xH25
<b>E.CAV.540.100</b>	Cavo/Cable 05RN-F 2x0,75 10mt	<b>E.TRA.584.700</b> 1 Driver for 1-14 Lamps	Driver DALI2 - 30W 700mA IP68 L121xW53xH26
<b>MOR682P/2V</b>	Connettore IP68 2Vie/2Poli 2x1mm² IP68 Connector 2ways/2Poles 2x1mm²	<b>HUB.700.001.ND</b> 1 Hub for 1-8 Lamps	Hub 700mA IP66 - ON/OFF con driver 60W IP20 L235xW200xH92
<b>E.TRA.621.700</b> 1 Driver for 1-8 Lamps	Driver ON/OFF - 20W 700mA IP20 L111xW52xH22	<b>HUB.700.001.DA2</b> 1 Hub for 1-8 Lamps	Hub 700mA IP66 - DALI2 con driver 60W IP20 L235xW200xH92
<b>E.TRA.623.700</b> 1 Driver for 1-14 Lamps	Driver ON/OFF - 36W 700mA IP20 L163xW30xH21	<b>HUB.700.001.CA</b> 1 Hub for 1-8 Lamps	Hub 700mA IP66 - CASAMBI con driver 60W IP20 L235xW200xH92

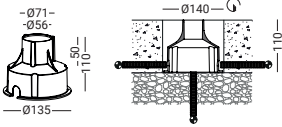
# BLOOM MINI BOLLARD ACCESSORI Accessories

## RECESSED BOXES



**KIT.023**

Kit picchetto per paletto/Spike kit  
H350xØ80



**KIT.024**

Kit cassaforma interrata in policarbonato  
Inground formwork kit  
H110xØ135

## CONNESSIONE - CONNECTION



**E.CAV.540.020**

Cavo/Cable 05RN-F 2x0,75 - 2mt

**E.CAV.540.050**

Cavo/Cable 05RN-F 2x0,75 - 5mt

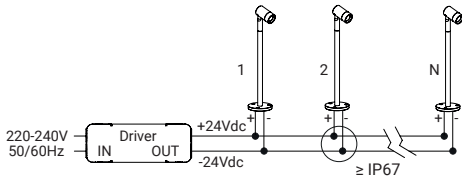
**E.CAV.540.100**

Cavo/Cable 05RN-F 2x0,75 - 10mt

**MOR682P/2V**

Connettore IP68 2Vie/2Poli - 2x1mm<sup>2</sup>  
IP68 Connector 2ways/2poles - 2x1mm<sup>2</sup>

## ALIMENTATORI - DRIVER - ELECTRONICS 24Vdc in Tensione - Constant voltage 24Vdc



Collegamento in Parallelo  
Parallel Wiring



**E.TRA.631**

1 Driver for 1-5 Lamps

Driver 15W 24Vdc IP20 - ON/OFF  
L106xW33xH22



**E.TRA.632**

1 Driver for 1-25 Lamps

Driver 70W 24Vdc IP20 - ON/OFF  
L124xW80xH22



**E.TRA.577**

1 Driver for 1-8 Lamps

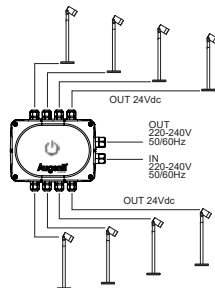
Driver 25W 24Vdc IP67 - ON/OFF  
L148xW40xH32



**E.TRA.579**

1 Driver for 9-30 Lamps

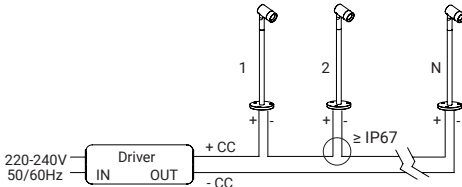
Driver 100W 24Vdc IP67 - ON/OFF  
L140xW63xH32



**HUB.24V.001.ND**  
1 Hub for 1-8 Lamps

Hub 24Vdc IP66 - ON/OFF con driver 70W  
L235xW200xH92

## ALIMENTATORI - DRIVER - ELECTRONICS 700mA in Corrente - Constant current 700mA



Collegamento in Serie  
Series Wiring



**E.TRA.621.700**

1 Driver for 1-8 Lamps

Driver 20W 700mA IP20 - ON/OFF  
L111xW52xH22



**E.TRA.623.700**

1 Driver for 1-14 Lamps

Driver 36W 700mA IP20 - ON/OFF  
L163xW30xH21



**E.TRA.634.700**

1 Driver for 1-20 Lamps

Driver 60W 700mA IP20 - ON/OFF  
L124xW80xH22



**E.TRA.635.700**

1 Driver for 1-20 Lamps

Driver 60W 700mA IP20 - DALI2  
L124xW80xH22



**E.TRA.636.700**

1 Driver for 1-20 Lamps

Driver 60W 700mA IP20 - CASAMBI  
L124xW80xH22



**E.TRA.553.700**

1 Driver for 1-8 Lamps

Driver 20W 700mA IP67 - ON/OFF  
L120xW38xH25



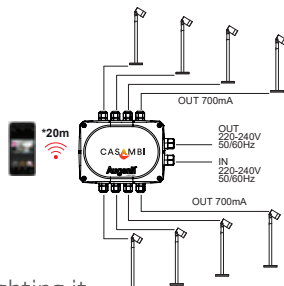
**E.TRA.584.700**

1 Driver for 1-14 Lamps

Driver 30W 700mA IP68 - DALI2  
L121xW53xH26



Schemi Hub da pag. 468 e sito. Hub diagrams from page. 468 and website.



**HUB.700.001.ND**  
1 Hub for 1-8 Lamps

Hub 700mA IP66 - ON/OFF con driver 60W IP20  
L235xW200xH92



**HUB.700.001.DA2**  
1 Hub for 1-8 Lamps

Hub 700mA IP66 - DALI2 con driver 60W IP20  
L235xW200xH92



**HUB.700.001.CA**  
1 Hub for 1-8 Lamps

Hub 700mA IP66 - CASAMBI con driver 60W IP20  
L235xW200xH92

