

# BOLLARD e PALETTI

Small Poles

## STEM SMALL POLE

Stem, il fascino del concetto  
The charm of the concept

360° EMISSIONE DIFFUSA - DIFFUSE EMISSION



H300 Ø160



H600 Ø160



H900 Ø160

STEM SMALL POLE



STEM WALL  
PAG. 248







## STEM SMALL POLE

DATI TECNICI  
Technical Data

### INSTALLAZIONE

Installazione a terra

### PROTEZIONE

IP 65 - IK 08

### CORPO

Alluminio pressofuso

### SCHERMO

Polycarbonato Opale

### GUARNIZIONI

Gomma siliconica resistente agli UV

### VITERIA

Acciaio Inox A2

### VERNICIATURA / FINITURA

Polvere poliestere stabilizzata ai raggi UV  
con trattamento anticorrosione

### ASSEMBLY / USAGE

Ground installation

### PROTECTION

IP 65 - IK 08

### BODY

Die-cast aluminium

### SCREEN

Opal Polycarbonate

### SEALS

Closed-cell EPDM rubber

### SCREWS

Stainless steel A2

### PAINT / FINISHING

Anti-corrosive UV stabilised polyester powder

360° EMISSIONE DIFFUSA - DIFFUSE EMISSION

2700K - 3000K - 4000K

### Versione in Tensione - Constant voltage (Vdc)

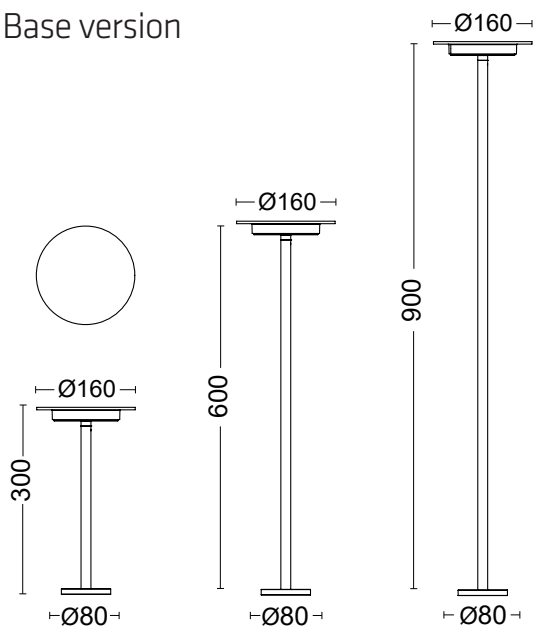
11W con DRIVER REMOTO 24Vdc - 11W REMOTE DRIVER 24Vdc



## STANDARD

Versione con base

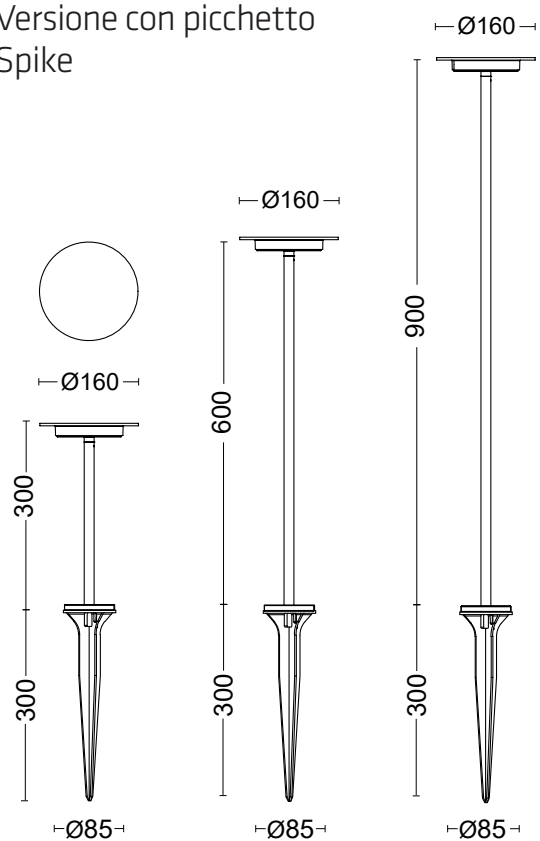
Base version



## ACCESSORIO ACCESSORY

Versione con picchetto

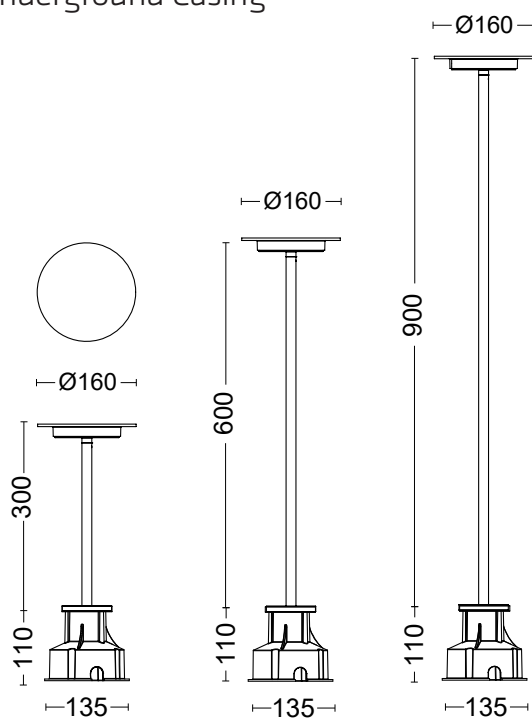
Spike



## ACCESSORIO ACCESSORY

Versione con controcassa interrata

Underground Casing



# STEM SMALL POLE



**Paletto -Driver remoto 24Vdc - H.300 / Small Pole -Remote driver 24Vdc - H.300**

Codice Code	Fascio Beam	Watt	Sorgente Source	Apparecchio Fixture	Alimentazione Input Supply	CCT	CL	IP	IK	CRI
<b>350F1/HRRC</b>	Diffuso 360° Diffuse 360°	11W	1420 lm	800 lm	24Vdc	2700K	III	65	08	>80
<b>350F1/WRRC</b>	Diffuso 360° Diffuse 360°	11W	1420 lm	800 lm	24Vdc	3000K	III	65	08	>80
<b>350F1/NRRC</b>	Diffuso 360° Diffuse 360°	11W	1510 lm	880 lm	24Vdc	4000K	III	65	08	>80

PO = Policarbonato Opale / PO = Opale Polycarbonato

Dimmerazione: DALI dimmerabile remoto / Dimming: Remote DALI dimmable



**Paletto -Driver remoto 24Vdc - H.600 / Small Pole -Remote driver 24Vdc - H.600**

Codice Code	Fascio Beam	Watt	Sorgente Source	Apparecchio Fixture	Alimentazione Input Supply	CCT	CL	IP	IK	CRI
<b>350F2/HRRC</b>	Diffuso 360° Diffuse 360°	11W	1420 lm	800 lm	24Vdc	2700K	III	65	08	>80
<b>350F2/WRRC</b>	Diffuso 360° Diffuse 360°	11W	1420 lm	800 lm	24Vdc	3000K	III	65	08	>80
<b>350F2/NRRC</b>	Diffuso 360° Diffuse 360°	11W	1510 lm	880 lm	24Vdc	4000K	III	65	08	>80

PO = Policarbonato Opale / PO = Opale Polycarbonato

Dimmerazione: DALI dimmerabile remoto / Dimming: Remote DALI dimmable



**Paletto -Driver remoto 24Vdc - H.900 / Small Pole -Remote driver 24Vdc - H.900**

Codice Code	Fascio Beam	Watt	Sorgente Source	Apparecchio Fixture	Alimentazione Input Supply	CCT	CL	IP	IK	CRI
<b>350F3/HRRC</b>	Diffuso 360° Diffuse 360°	11W	1420 lm	800 lm	24Vdc	2700K	III	65	08	>80
<b>350F3/WRRC</b>	Diffuso 360° Diffuse 360°	11W	1420 lm	800 lm	24Vdc	3000K	III	65	08	>80
<b>350F3/NRRC</b>	Diffuso 360° Diffuse 360°	11W	1510 lm	880 lm	24Vdc	4000K	III	65	08	>80

PO = Policarbonato Opale / PO = Opale Polycarbonato

Dimmerazione: DALI dimmerabile remoto / Dimming: Remote DALI dimmable

<b>KIT.023</b>	Kit picchetto/Spike Kit H350xØ80	<b>E.TRA.632</b>	Driver ON/OFF - 70W 24Vdc IP20 1 Driver for 1-5 Lamps	L124xW80xH22
<b>KIT.024</b>	Kit cassaforma interrata per paletto - H110xØ135 Inground formwork kit for post - H110xØ135	<b>E.TRA.633</b>	Driver DALI - 100W 24Vdc IP20 1 Driver for 1-8 Lamps	L175xW63xH36
<b>E.CAV.540.020</b>	Cavo/Cable 05RN-F 2x0,75 2mt	<b>E.TRA.577</b>	Driver ON/OFF - 25W 24Vdc IP67 1 Driver for 1-2 Lamps	L148xW40xH32
<b>E.CAV.540.050</b>	Cavo/Cable 05RN-F 2x0,75 5mt	<b>E.TRA.579</b>	Driver ON/OFF - 100W 24Vdc IP67 1 Driver for 3-8 Lamps	L140xW63xH32
<b>E.CAV.540.100</b>	Cavo/Cable 05RN-F 2x0,75 10mt	<b>HUB.24V.001.ND</b>	Hub 24Vdc IP66 - ON/OFF con driver 70W 1 Hub for 1-5 Lamps	L235xW200xH92
<b>MOR682P/2V</b>	Connettore IP68 2Vie/2Poli 2x1mm² IP68 Connector 2ways/2Poles 2x1mm²	<b>HUB.24V.001.DA2</b>	Hub 24Vdc IP66 - DALI2 con driver 100W - 1 Hub for 1-5 Lamps	L235xW200xH92
<b>E.TRA.631</b>	Driver ON/OFF - 15W 24Vdc IP20 1 Driver for 1 Lamp	<b>HUB.24V.001.CA</b>	Hub 24Vdc IP66 - CASAMBI - 1 Hub for 1-5 Lamps	L235xW200xH92

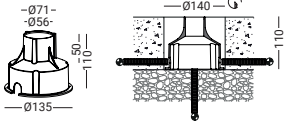
# STEM SMALL POLE ACCESSORI Accessories

## RECESSED BOXES



**KIT.023**

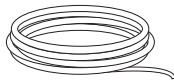
Kit picchetto per paletto/Spike kit  
H350xØ80



**KIT.024**

Kit cassaforma interrata in policarbonato  
Inground formwork kit  
H110xØ135

## CONNESSIONE - CONNECTION



**E.CAV.540.020**

Cavo/Cable 05RN-F 2x0,75 - 2mt

**E.CAV.540.050**

Cavo/Cable 05RN-F 2x0,75 - 5mt

**E.CAV.540.100**

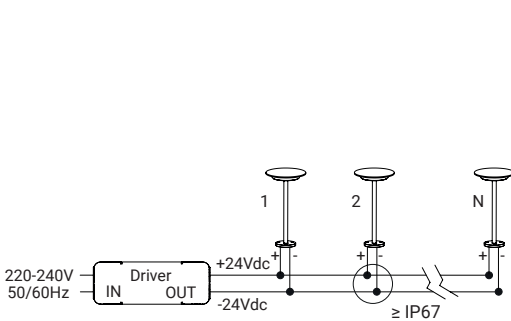
Cavo/Cable 05RN-F 2x0,75 - 10mt



**MOR682P/2V**

Connettore IP68 2Vie/2Poli - 2x1mm<sup>2</sup>  
IP68 Connector 2ways/2poles - 2x1mm<sup>2</sup>

## ALIMENTATORI - DRIVER - ELECTRONICS 24Vdc in Tensione - Constant voltage 24Vdc



Collegamento in Parallelo  
Parallel Wiring



**E.TRA.631**

1 Driver for 1 Lamp

Driver ON/OFF - 15W 24Vdc IP20  
L106xW33xH22



**E.TRA.632**

1 Driver for 1-5 Lamps

Driver 70W 24Vdc IP20 - ON/OFF  
L124xW80xH22



**E.TRA.633**

1 Driver for 1-8 Lamps

Driver 100W 24Vdc IP20 - DALI  
L175xW63xH36



**E.TRA.577**

1 Driver for 1-2 Lamps

Driver 25W 24Vdc IP67 - ON/OFF  
L148xW40xH32



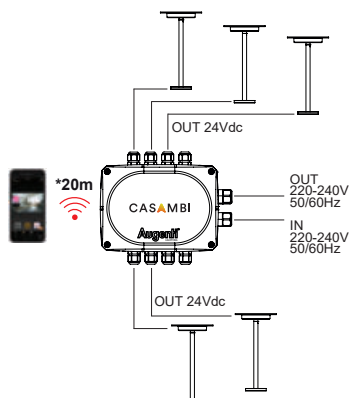
**E.TRA.579**

1 Driver for 3-8 Lamps

Driver 100W 24Vdc IP67 - ON/OFF  
L140xW63xH32



Schemi Hub da pag. 468 e sito. Hub diagrams from page. 468 and website.



**HUB.24V.001.ND**

1 Hub for 1-5 Lamps

Hub 24Vdc IP66 - ON/OFF con driver 70W  
L235xW200xH92



**HUB.24V.001.DA2**

1 Hub for 1-5 Lamps

Hub 24Vdc IP66 - DALI2 con driver 100W  
L235xW200xH92



**HUB.24V.001.CA**

1 Hub for 1-5 Lamps

Hub 24Vdc IP66 - CASAMBI  
L235xW200xH92



